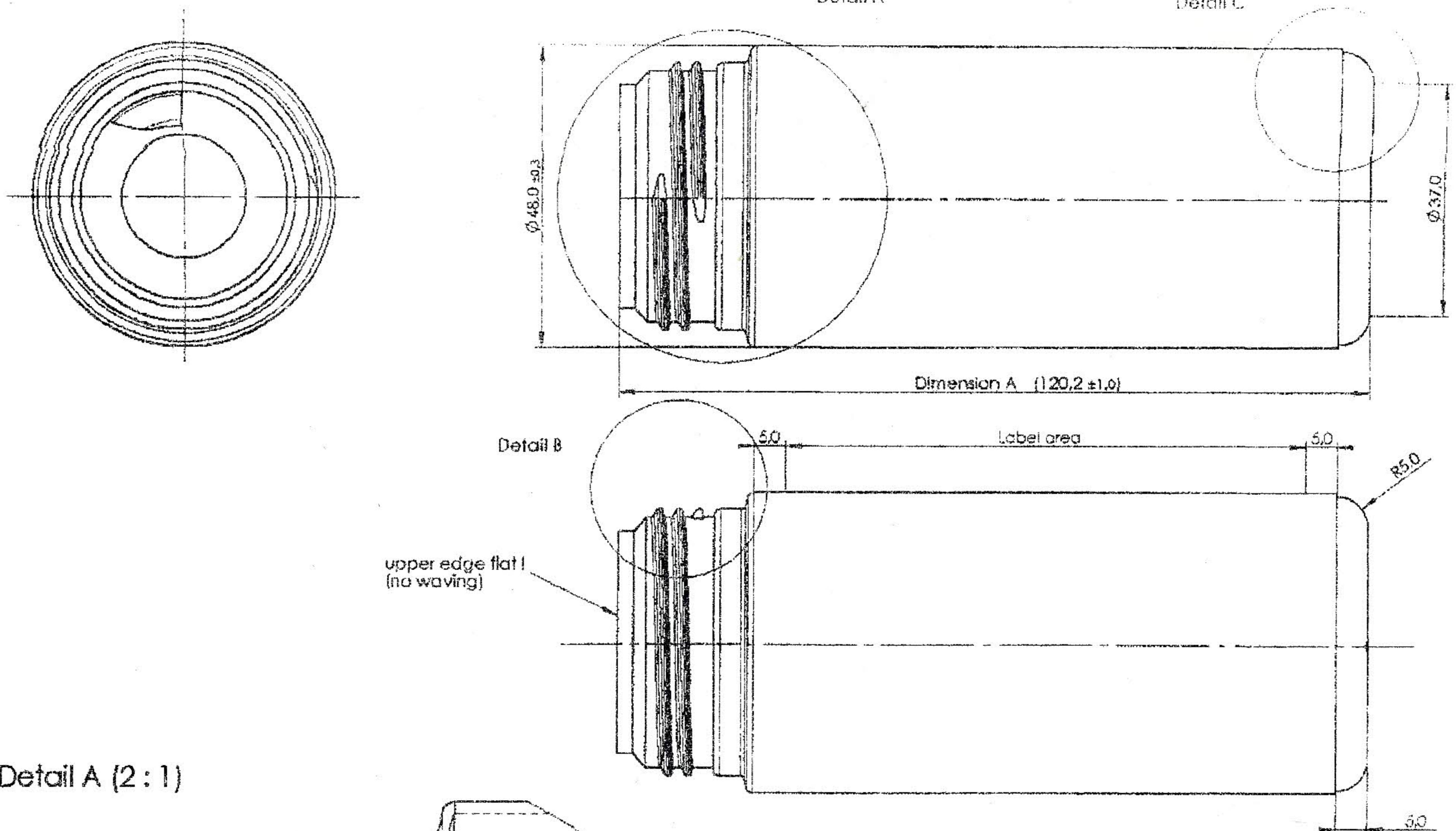
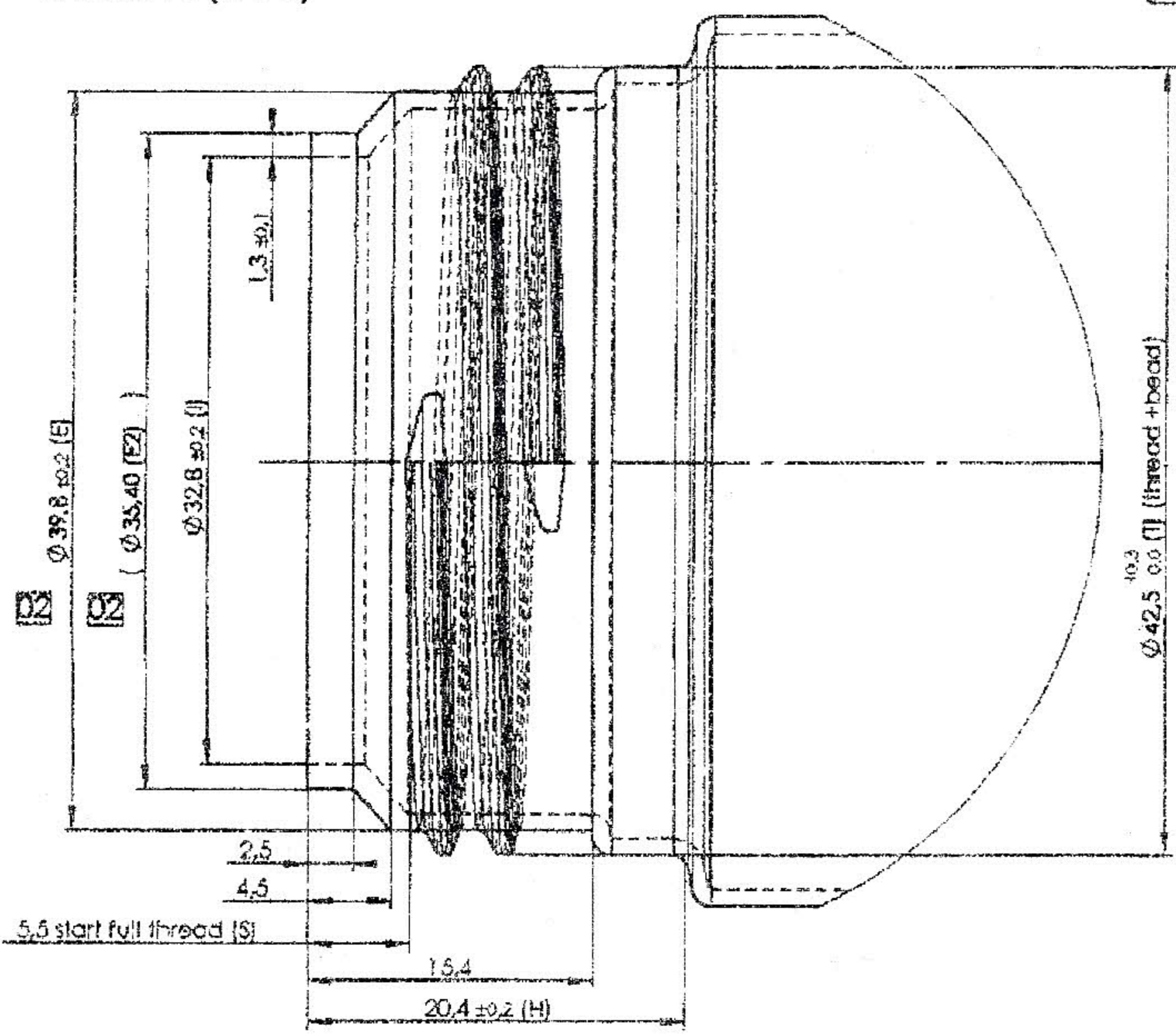


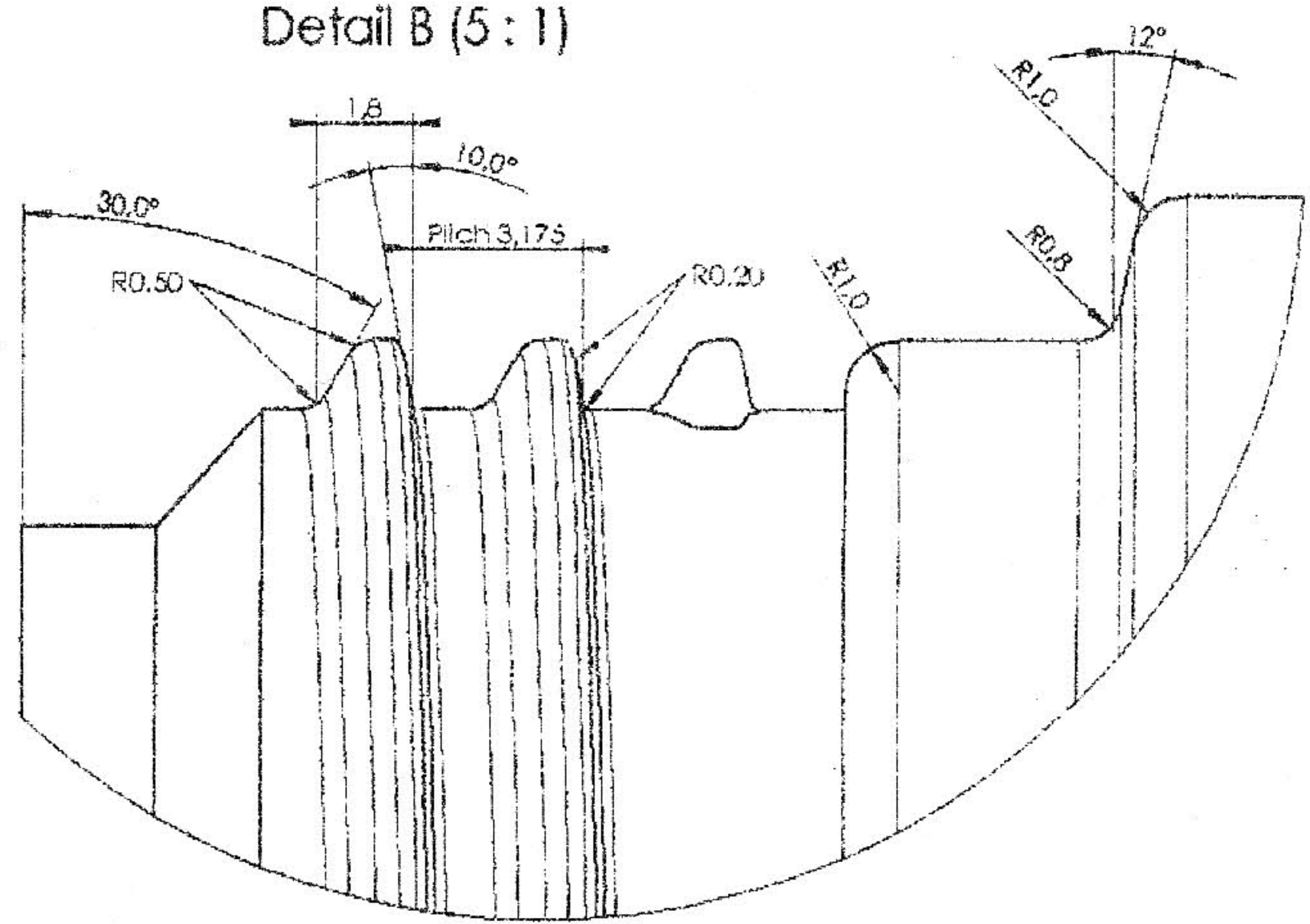
(depth of this pos)



Detail A (2:1)



Detail B (5:1)



Fill (ml)	Fill max. (ml)	Brim full (ml) +/- 3%	Dimension A (mm)	Volume of material (mm ³) minimum	Weight (gr) +2/-1gr.	Label area (mm) wide x length
100	125	160	104,7	15865	15	150,8 x 67,8
125	160	185	120,2	17930	17	150,8 x 83,4
150	175	215	135,7	19894	19	150,8 x 88,9
175	200	240	151,2	22058	21	150,8 x 114,4
200	225	265	166,7	24122	23	150,8 x 129,9

nr.	date	specification	
04	2-4-01	change weight and tolerance of bottles	Dr
03	3-7-00	adding label area	Ch
02	15-03-00	change of E-dimension, adding E2-dimension	Mk
01	28-2-00	change of name (was F2-8OHD-48-g-00) / change of information sheet	Pr

Pl
fc
R
A
A
D
D
C
M
P
A